



الأبواب الشبكية (الالومنيوم والحديدية)

مواصفات الأبواب الشبكية

ستارة الباب : مصنعة من مواسير حديدية مجلفنة أو من الألمنيوم لمقاومة الصدأ والأحوال الجوية ، ومسحوبة على البارد لتشكيل النموذج الخاص بهذه الستارة وتلصق مع بعضها لبعض بواسطة كلبسات خاصة .

مجموعه حامل الباب : يتشكل هذا الحامل من أنبوب مجلفن من الحديد يتراوح قطره من ٥ سم الى ٧,٥٠ سم ، ومثبت بع مجموعة من العجلات بداخلها سبرنقات مقواة بالزيت والعجلة للباب مصنعة من الحديد المجلفن سماكة (٢) ملم ويحدد عدد العجلات حجم الباب وكثيفة التعليق مصنعة من الحديد المجلفن سماكة (٤) ملم .

مجاري الباب مصنعة من الحديد المجلفنه سماكة (٢-٤) ملم ويعمق يصل إلى (١٠) سم للحفاظ على ستارة الباب مما يعطي حماية اكبر لستارة الباب لمقاومة سوء الأحوال الجوية .

مجموعة الحاجز السفلي للباب : مصنعة من الحديد او الألمنيوم لتعطي القوة لمواجهة الصدمات كذلك مزودة بقفلين على جانبي الباب .

بالإمكان طلاء هذه الأبواب بعدة ألوان حسب رغبة العميل .

٧ تشغيل الباب متوفرة بعدة طرق :

(أ) التشغيل اليدوي وذلك عن طريق دفع الباب للأعلى باليد أو بتركيب سلسلة الرفع اليدوي .

(ب) جهاز تشغيل الباب الآلي متوفرة بمقاسات وماركات عدة كما يشير الجدول

GD

GD

Grill Doors (Galvanized Steel and Anodized Aluminum)

Specifications:

Mounting	Interior face of wall or exterior face of wall and between jamb.
Curtain	The slats are continuous, roll formed and interlocking sections. The perforated (3mm dia holes) flat slats are manufactured from 0.8mm gauge) thick galvanized steel sheet. End-locks are Hard nylon fastened to both ends of alternate slats to prevent lateral movement.
Curtain Option	Galvanized steel or Anodized aluminum
Bottom Bar	Heavy extruded galvanized steel or aluminum bottom bar with handle and lock-set.
Brackets	The brackets are made of steel plates having thickness ranges from 3 to 10 mm (as technically required). The brackets shall be fitted with masonry anchors and/or hex head screws or as specified for steel work.
Guides	2.00mm thick galvanized steel U channels of 65 x 30mm or structural steel double angles with a minimum thickness of 5 mm for heavy duty applications.
Counter Balance	Steel pipe of 60mm OD and 4.00mm thick equipped with steel springs, drums, and spring boxes for easy movement (or) the counter balance is made of steel barrel ranges between 160mm to 200mm OD equipped with helical torsion springs, steel drums and bearings to minimize wear of pipe shaft for heavy duty applications.
Operation	Electric motor / manual operated: Sizes up to 3.00 meter width x 3.00 meter height are standard to use manual push up operated. Sizes above 3.00 meter width x 3.00 meter height are recommended to use motor operated.
Locking	Self-locking gear motor positively locks the door in the fully closed position. Also the standard one pair of padlocks on both ends of the bottom bar, which locks into the guide channels.
Finish	Galvanized, Anodized Aluminum or Powder Coated.
Max. Dimension	7000mm Width and 7000mm Height
Motor	CAME / SOMFY



هذه الأبواب مناسبة للمحلات التجارية مما تعطي الحماية دون حجج الرؤية الخارجية للمحل متميزة هذه الأبواب بالقوة ومتوفرة بعدة ألوان مقاسات تصل إلى (٧) متر وعرض (٦) متر ارتفاع وتصنع من الحديد المجلفن أو الألمنيوم .

Al-Barrak Grill Doors are mostly used on store fronts, shops in malls and on entrances having as open appearance (window shopping, drive-ins, concessions and many other locations). Al-Barrak grill doors are designed for easy operation and long life with minimum maintenance required. Safe and Secure: made of heavy gauge steel or aluminium pipes. The doors can be manually, hand chain and motor operated.



CAME Grill Door Operator

Al Barrak's Grill Door Operators From CAME, Italy, CAME is Europe's leading manufacturer of a complete range of electromechanical automatic door control systems. Top-quality control systems designed for external installation and with no need of periodic maintenance are the basis for the success of CAME products. CAME automatic systems can be fitted also on an existing doors.

Simplicity and Performance

The roll-up door operator of the H series offer a safe and secure system for the automation of every type of roll-up door. A single model, suitable for the various types of shafts and drums, permits a modular installation without additional adjustments. The possibility to add a second motor, further allows an increase in force for large sized doors.

Practical and easy to install

Several constructive innovations make the installation fast and easy, simplifying the mounting procedure.

Features of CAME H 1003 Motor

- The unit features an easy to use limit system which permits a quick regulation. During the installation it is sufficient to manually position the roll-up door once in oral to set the limits.
- The motor is adaptable either shafts of 48mm diameter or to those of 60mm, as well as drums of 200mm or 220mm with the spacers provided.
- Also an additional motor may be installed at a later time to increase the lift force from 120 kg to 200kg.
- Release cord for manual operation in the case of power failure.



* Technical Specifications of CAME H 1003 Motor

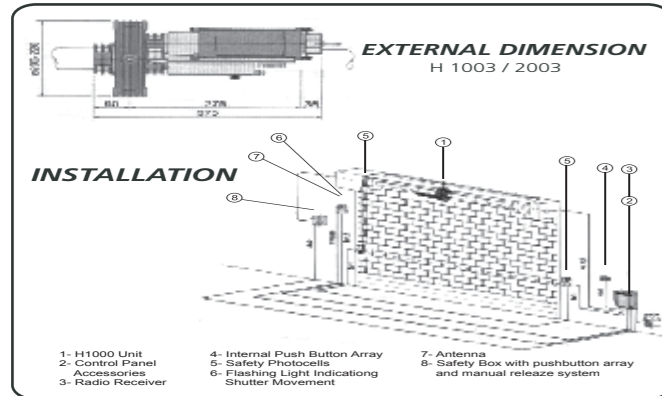
Motor Weight	7.7 kg.	Reduction ratio	1/150
Voltage	230 V	Lift Capacity	120 Kg
Power	270 W	Capacitor	16uF
Duty cycle	30%	Gear Type	Self-Lock
RPM	9		

Features of CAME H 2003 Motor

- The unit features an easy to use limit system which permits a quick regulation. During the installation it is sufficient to manually position the roll-up door once in oral to set the limits.
- The motor is adaptable either shafts of 48mm diameter or to those of 60mm, as well as drums of 200mm or 220mm with the spacers provided.
- Also an additional motor may be installed at a later time to increase the lift force from 200 kg to 400kg.
- Release cord for manual operation in the case of power failure.

* Technical Specifications of CAME H 2003 Motor

Motor Weight	11.2 kg.	RPM	9
Voltage	230 V	Reduction ratio	1/150
Amps	4.5	Lift Capacity	200 Kg
Power	500 W	Capacitor	22 uF
Duty cycle	30 %	Gear Type	Self-Lock



Grill Door Operators - SOMFY

Solutions for Commercial & Industrial Closures

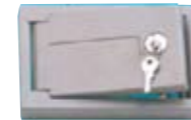
The System used for securing the closure of shops or industrial buildings must be totally reliable, secure and simple.

MC PRO meets all these requirements! Like all SOMFY motors, it has been designed to withstand the toughest conditions of use for the longest period of time. Among other innovative features, SOMFY has created a full range of accessories to facilitate everyday use, and to ensure that MC PRO can be adapted to all types of configuration.



Safety Box

This safety box allows manual control and operation of the closure from outside the building in case of power failure.



Reversing Switch

This ultra-slim switch is a reversing switch for the safety box.



Key Switch Controls

Key-operated control boxes.



Reasons in using SOMFY Commercial & Industrial Closures

Reliability

The new high-resistance crown in zamak with its carefully designed profile, offers a high-definition outer surface finish that avoids any marking of the slats. The quality of the materials used for the box (ABS), is shock and heat-resistant.

Security

The motor is equipped with a brake which holds the closure in the desired position. The electric wiring and connections are perfectly protected by a sealing cap.

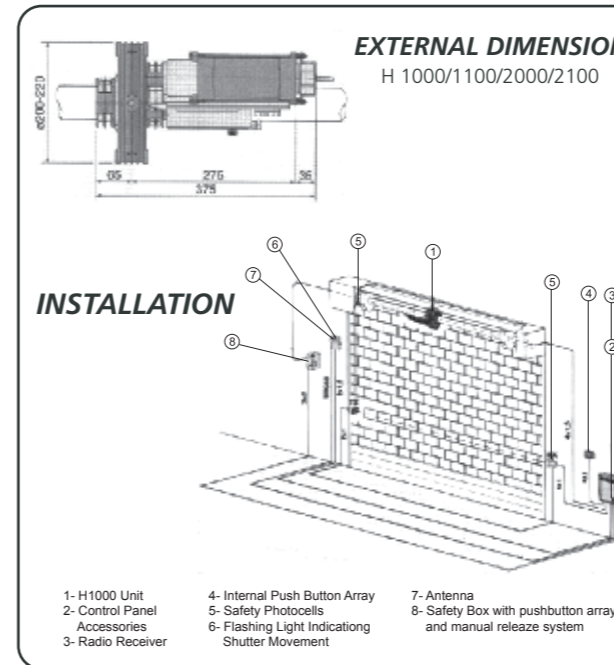
Simplicity

The limit switch unit designed for the Saudi Arabian market, allows a strong withstand to shocks and high heat (tested up to 85 degree Centigrade) and an accurate adjustment: with our new device, only one cycle is required to adjust the limits.

Model	Torque Nm	Speed rpm	Tube O	Crown O mm	Limit switch** Capacity	Voltage Volts	Freq. Hz**	Current Amps	Power Watt	Max. load Stals kg
MC Pro70	70	12	60	220	15 Turns	220	60	1.35	297	150 kg
MC Pro70	100	12	60	220	15 Turns	220	60	1.9	418	200 kg

* Designed according to the SASO requirements (Saudi Arabian Standard Organization) the new motor fully comply with the SASI standards.
*** The motor was tested under extreme heat by specialized laboratories.

نوع الماطور	وزن الماطور (كجم)	الكهرباء (فولت)	الوزن (كجم)	وزن الباب (كجم)
CAMEH1003	7.70 Kg	220	270	120
CAMEH2003	11.20 Kg	220	500	200
TESC-DS50	12 Kg	220	400	500
TESC-DS70	15 Kg	220	550	700



وتتميز هذه المحركات بالتالي :

- (١) مصممة للاستخدام الصناعي والتجاري .
- (٢) مزود بقفل ميكانيكي .
- (٣) مزود بمفتاح يدوي عند انقطاع التيار الكهربائي .

كذلك إمكانية تزويد جهاز التشغيل بالإضافة التالية :

- (١) تشغيل الماطور بالريموت كنترول
- (٢) لمبة تحذيرية تعمل تلقائيا اثناء تشغيل النظام
- (٣) عدسات ضوئية للسلامة تمكن الباب من الارتداد تلقائيا عند مرور أي جسم أثناء عملية التشغيل .
- (٤) بالإمكان تشغيل الجهاز بمفتاح ممغنط .